



FEATURES

- Great for –48Vdc telecom power monitoring
- Self-powered 2-wire operation
- –36 to –75V operating input range
- Ultra-low power consumption, 8mA (typ.) at –48V
- –200V input transient protection
- Reverse polarity protected to +100V
- 0.37"/9.4mm high, bright red, LED display
- Subminiature 1.38" x 0.88" x 1.0" package
- Super reliable, epoxy-encapsulated construction
- –25 to +60°C operating temperature range

Functional Specifications

Input

Voltage Range ①	–36.0 to –75.0Vdc
Current Consumption	13.0mA (max.)
Reverse Polarity Protection	+100V (max.)
Transient Protection	–200V (1µsec duration)

Performance

Sampling Rate	2.5 readings/second
Resolution	0.1V
Accuracy @ +25°C	±0.1V (typ.), ±0.2V (max.)
Temperature Drift (–25 to +60°C)	±0.2 counts/°C (max.)

Mechanical

Dimensions	1.38" x 0.88" x 1.00"
Display Type	3 digit, red LED, 0.37"/9.4mm
Weight	1 ounce (28 grams)
Case Material	Polycarbonate

Environmental

Operating Temperature	–25 to +60°C
Storage Temperature	–40 to +75°C
Humidity (Non-condensing)	0 to 95%

① Operation and accuracy at inputs above or below this range are not specified.

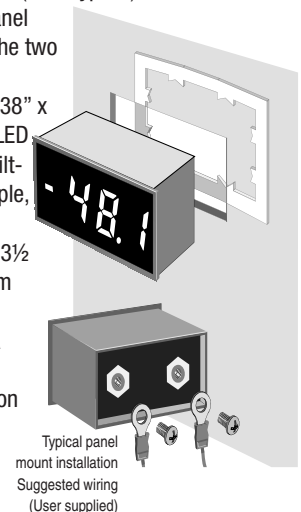


For full details go to
www.murata-ps.com/rohs

DATEL's new DMS-20PC-7-DCM self-powered digital voltage monitor is designed for monitoring –48V intermediate bus voltages in modern telecom/datacom/computer equipment. Its compact size and low power consumption (8mA typical) make it the ideal replacement for older, hard-to-read, analog panel meters. Simply connect a –36 to –75Vdc input across the two rear terminals and the meter is fully operational!

The DMS-20PC-7-DCM's subminiature package (1.38" x 0.88" x 1.0") houses a large, 0.37"/9.4mm, bright red LED display which can be easily read from 15 feet away. Built-in reverse polarity and transient protection assures simple, trouble-free installation.

The DMS-20PC-7-DCM employs a high-resolution, 3½ digit analog-to-digital converter and precision metal-film resistors to achieve outstanding performance over its entire operating temperature range of –25 to +60°C. A rugged, epoxy-encapsulated, polycarbonate case (available only from DATEL!) provides excellent protection against moisture, shock and vibration.

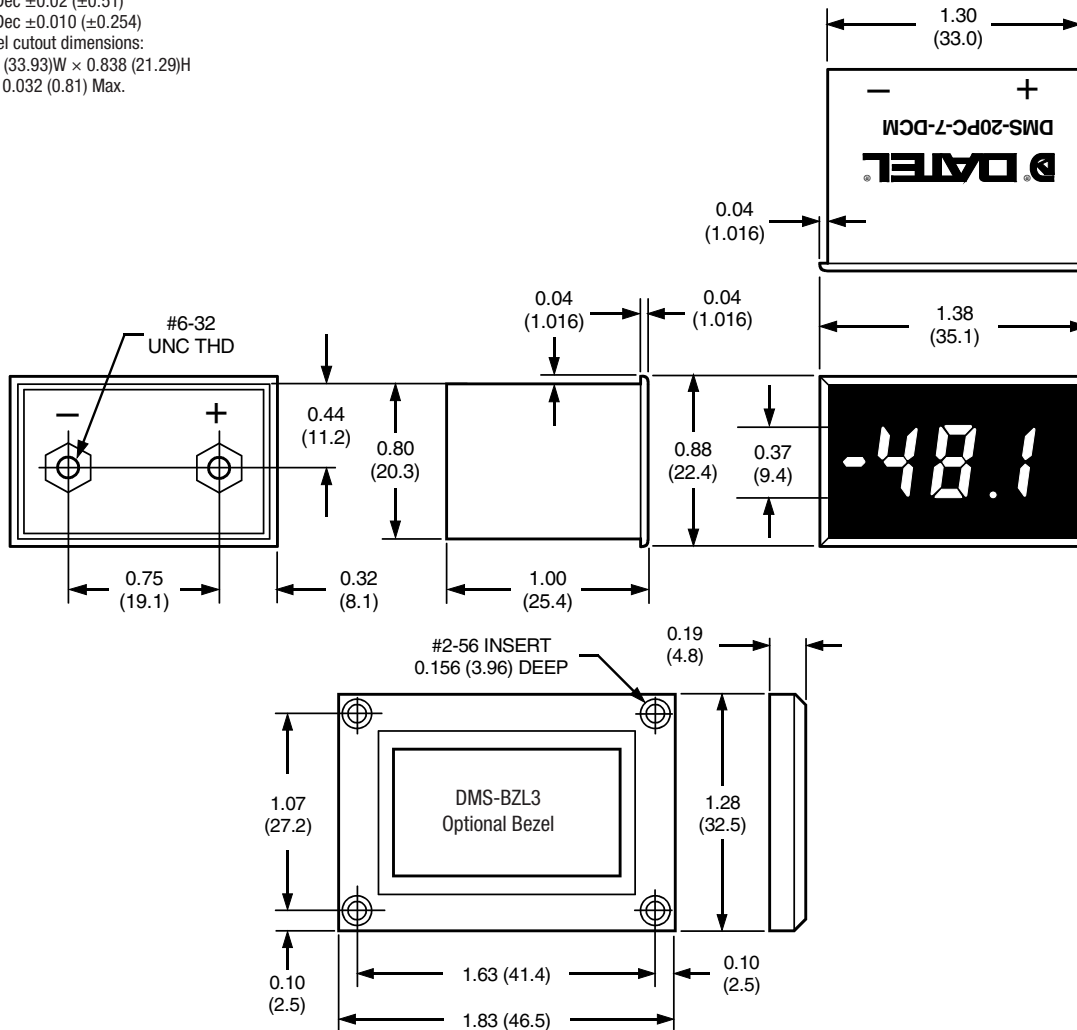


Ordering Information

DMS-20PC-7-DCM	–36.0 to –75.0V dc voltage monitor
DMS-20-CP	Panel cutout punch
DMS-BZL3	Panel mount bezel assembly
DMS-BZL4	Panel mount bezel with sealing gasket

Brass screws (6-32 thread) and a panel-mount retaining clip are supplied with each meter

Dimensions in inches (millimeters)
 Tolerances: 2 PL Dec ± 0.02 (± 0.51)
 3 PL Dec ± 0.010 (± 0.254)
 Recommended panel cutout dimensions:
 1.336 (33.93)W \times 0.838 (21.29)H
 Internal corner radii 0.032 (0.81) Max.



Murata Power Solutions, Inc.
 11 Cabot Boulevard, Mansfield, MA 02048-1151 U.S.A.
 Tel: (508) 339-3000 (800) 233-2765 Fax: (508) 339-6356
 www.murata-ps.com email: sales@murata-ps.com ISO 9001 and 14001 REGISTERED

11/24/08
 Murata Power Solutions, Inc. makes no representation that the use of its products in the circuits described herein, or the use of other technical information contained herein, will not infringe upon existing or future patent rights. The descriptions contained herein do not imply the granting of licenses to make, use, or sell equipment constructed in accordance therewith. Specifications are subject to change without notice.
 © 2008 Murata Power Solutions, Inc.

- USA:** Mansfield (MA), Tel: (508) 339-3000, email: sales@murata-ps.com
- Canada:** Toronto, Tel: (866) 740-1232, email: toronto@murata-ps.com
- UK:** Milton Keynes, Tel: +44 (0)1908 615232, email: mk@murata-ps.com
- France:** Montigny Le Bretonneux, Tel: +33 (0)1 34 60 01 01, email: france@murata-ps.com
- Germany:** München, Tel: +49 (0)89-544334-0, email: munich@murata-ps.com
- Japan:** Tokyo, Tel: 3-3779-1031, email: sales_tokyo@murata-ps.com
 Osaka, Tel: 6-6354-2025, email: sales_osaka@murata-ps.com
- China:** Shanghai, Tel: +86 215 027 3678, email: shanghai@murata-ps.com
 Guangzhou, Tel: +86 208 221 8066, email: guangzhou@murata-ps.com
- Singapore:** Parkway Centre, Tel: +65 6348 9096, email: singapore@murata-ps.com